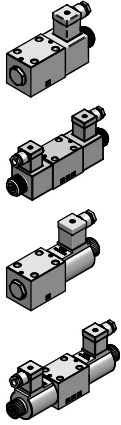


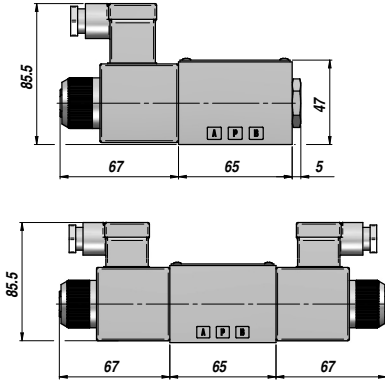
LC1

CETOP 3

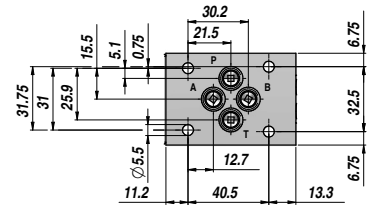
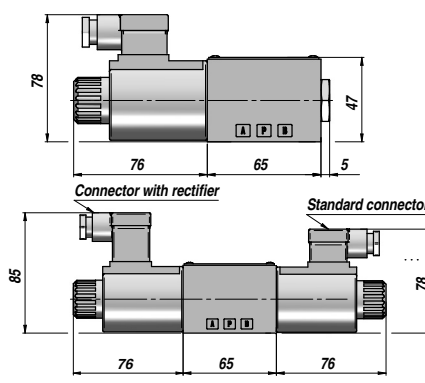
ELETTROVALVOLA A COMANDO DIRETTO
SOLENOID OPERATED DIRECTIONAL VALVE
DIREKT GESTEUERTE MAGNETWEGEVENTILE



LC1-AZ



LC1-DZ



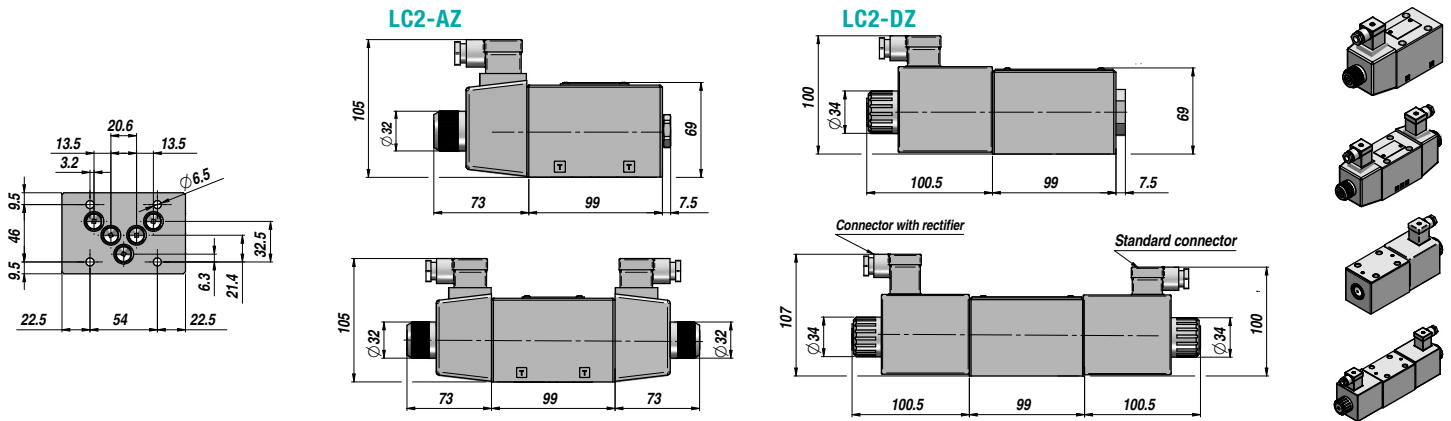
Code Code Bestell-Nr.	Tipo Type Typ	Tensione Voltage Spannung	Simbolo Idraulico Hydraulic Symbol Hydrauliksymbol	Q MAX l/min	P MAX bar	kg
EL10A02002450	LC1-A201 AZ	24/50VAC		60	250	1,66
EL10A02011050	LC1-A201 AZ	110/50VAC		"	"	1,66
EL10A02022050	LC1-A201 AZ	220/50VAC		"	"	1,66
EL10A02012VDC	LC1-A201 DZ	12VDC		70	310	1,82
EL10A02024VDC	LC1-A201 DZ	24VDC		"	"	1,82
EL10B02002450	LC1-B201 AZ	24/50VAC		60	250	1,66
EL10B02011050	LC1-B201 AZ	110/50VAC		"	"	1,66
EL10B02022050	LC1-B201 AZ	220/50VAC		"	"	1,66
EL10B02012VDC	LC1-B201 DZ	12VDC		70	310	1,82
EL10B02024VDC	LC1-B201 DZ	24VDC		"	"	1,82
EL10C02002450	LC1-C201 AZ	24/50VAC		60	250	1,66
EL10C02011050	LC1-C201 AZ	110/50VAC		"	"	1,66
EL10C02022050	LC1-C201 AZ	220/50VAC		"	"	1,66
EL10C02012VDC	LC1-C201 DZ	12VDC		70	310	1,82
EL10C02024VDC	LC1-C201 DZ	24VDC		"	"	1,82
EL10E02002450	LC1-E201 AZ	24/50VAC		60	250	1,66
EL10E02011050	LC1-E201 AZ	110/50VAC		"	"	1,66
EL10E02022050	LC1-E201 AZ	220/50VAC		"	"	1,66
EL10E02012VDC	LC1-E201 DZ	12VDC		70	310	1,82
EL10E02024VDC	LC1-E201 DZ	24VDC		"	"	1,82
EL10A11S02450	LC1-A301 AZ	24/50VAC		60	250	1,25
EL10A11S11050	LC1-A301 AZ	110/50VAC		"	"	1,25
EL10A11S22050	LC1-A301 AZ	220/50VAC		"	"	1,25
EL10A11S12VDC	LC1-A301 DZ	12VDC		70	310	1,33
EL10A11S24VDC	LC1-A301 DZ	24VDC		"	"	1,33
EL10A11C02450	LC1-Y301 AZ	24/50VAC		60	250	1,25
EL10A11C11050	LC1-Y301 AZ	110/50VAC		"	"	1,25
EL10A11C22050	LC1-Y301 AZ	220/50VAC		"	"	1,25
EL10A11C12VDC	LC1-Y301 DZ	12VDC		70	310	1,33
EL10A11C24VDC	LC1-Y301 DZ	24VDC		"	"	1,33
EL10B11C02450	LC1-B301 AZ	24/50VAC		60	250	1,25
EL10B11C11050	LC1-B301 AZ	110/50VAC		"	"	1,25
EL10B11C22050	LC1-B301 AZ	220/50VAC		"	"	1,25
EL10B11C12VDC	LC1-B301 DZ	12VDC		70	310	1,33
EL10B11C24VDC	LC1-B301 DZ	24VDC		"	"	1,33
EL10C11A02450	LC1-C301 AZ	24/50VAC		60	250	1,25
EL10C11A11050	LC1-C301 AZ	110/50VAC		"	"	1,25
EL10C11A22050	LC1-C301 AZ	220/50VAC		"	"	1,25
EL10C11A12VDC	LC1-C301 DZ	12VDC		70	310	1,33
EL10C11A24VDC	LC1-C301 DZ	24VDC		"	"	1,33

A RICHIESTA - ON REQUEST - AUF ANFRAGE: ELETTROVALVOLE - SOLENOID DIRECTIONAL VALVES - MAGNETWEGEVENTILE TYP LC0,4 (Cetop 2)

ELETTROVALVOLA A COMANDO DIRETTO
SOLENOID OPERATED DIRECTIONAL VALVE
DIREKT GESTEUERTE MAGNETWEGEVENTILE

CETOP 5

LC2



Codice Code Bestell-Nr.	Tipo Type Typ	Tensione Voltage Spannung	Simbolo Idraulico Hydraulic Symbol Hydrauliksymbol	Q MAX l/min	P MAX bar	kg
EL20A02002450	LC2-A201 AZ	24/50VAC		100	310	4,10
EL20A02011050	LC2-A201 AZ	110/50VAC		"	"	4,10
EL20A02022050	LC2-A201 AZ	220/50VAC		"	"	4,10
EL20A02012VDC	LC2-A201 DZ	12VDC		120	"	5,10
EL20A02024VDC	LC2-A201 DZ	24VDC		"	"	5,10
EL20B02002450	LC2-B201 AZ	24/50VAC		100	310	4,10
EL20B02011050	LC2-B201 AZ	110/50VAC		"	"	4,10
EL20B02022050	LC2-B201 AZ	220/50VAC		"	"	4,10
EL20B02012VDC	LC2-B201 DZ	12VDC		120	"	5,10
EL20B02024VDC	LC2-B201 DZ	24VDC		"	"	5,10
EL20C02002450	LC2-C201 AZ	24/50VAC		100	310	4,10
EL20C02011050	LC2-C201 AZ	110/50VAC		"	"	4,10
EL20C02022050	LC2-C201 AZ	220/50VAC		"	"	4,10
EL20C02012VDC	LC2-C201 DZ	12VDC		120	"	5,10
EL20C02024VDC	LC2-C201 DZ	24VDC		"	"	5,10
EL20E02002450	LC2-E201 AZ	24/50VAC		100	310	4,10
EL20E02011050	LC2-E201 AZ	110/50VAC		"	"	4,10
EL20E02022050	LC2-E201 AZ	220/50VAC		"	"	4,10
EL20E02012VDC	LC2-E201 DZ	12VDC		120	"	5,10
EL20E02024VDC	LC2-E201 DZ	24VDC		"	"	5,10
EL20A11S02450	LC2-A301 AZ	24/50VAC		100	310	3,30
EL20A11S11050	LC2-A301 AZ	110/50VAC		"	"	3,30
EL20A11S22050	LC2-A301 AZ	220/50VAC		"	"	3,30
EL20A11S12VDC	LC2-A301 DZ	12VDC		120	"	4,00
EL20A11S24VDC	LC2-A301 DZ	24VDC		"	"	4,00
EL20A11C02450	LC2-Y301 AZ	24/50VAC		100	310	3,30
EL20A11C11050	LC2-Y301 AZ	110/50VAC		"	"	3,30
EL20A11C22050	LC2-Y301 AZ	220/50VAC		"	"	3,30
EL20A11C12VDC	LC2-Y301 DZ	12VDC		120	"	4,00
EL20A11C24VDC	LC2-Y301 DZ	24VDC		"	"	4,00
EL20B11C02450	LC2-B301 AZ	24/50VAC		100	310	3,30
EL20B11C11050	LC2-B301 AZ	110/50VAC		"	"	3,30
EL20B11C22050	LC2-B301 AZ	220/50VAC		"	"	3,30
EL20B11C12VDC	LC2-B301 DZ	12VDC		120	"	4,00
EL20B11C24VDC	LC2-B301 DZ	24VDC		"	"	4,00
EL20C11A02450	LC2-C301 AZ	24/50VAC		100	310	3,30
EL20C11A11050	LC2-C301 AZ	110/50VAC		"	"	3,30
EL20C11A22050	LC2-C301 AZ	220/50VAC		"	"	3,30
EL20C11A12VDC	LC2-C301 DZ	12VDC		120	"	4,00
EL20C11A24VDC	LC2-C301 DZ	24VDC		"	"	4,00

A RICHIESTA - ON REQUEST - AUF ANFRAGE: VALVOLE MODULARI PER ELETTROVALVOLE CETOP 2-3-5 - MODULAR VALVES FOR SOLENOID OPERATED DIRECTIONAL VALVES CETOP 2-3-5 - SANDWICH-VENTILE FÜR MAGNETWEGEVENTILE CETOP 2-3-5