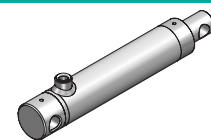
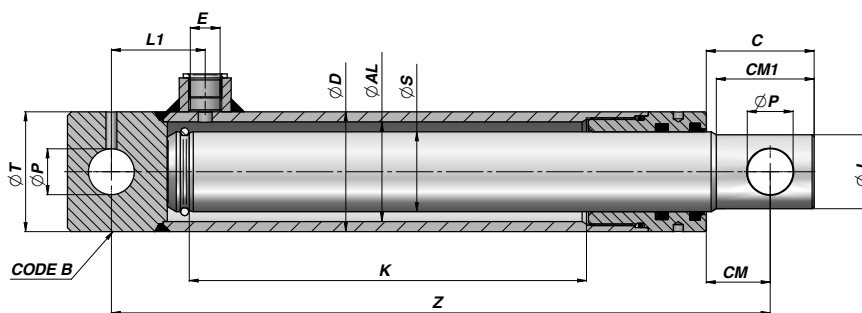


M250



Codice Code Bestell-Nr.	K	Z	kg	E BSP	L1	ØP	CM	C	ØJ	CM1	ØT	Code B
<b>ØD 40 ØAL 30 ØS 25</b>												
HFRT125100	100	190	1,63									CFHRT04030
HFRT125150	150	240	2,04									
HFRT125200	200	290	2,44	3/8"	40	14	24	38	22	35	40	
HFRT125250	250	340	2,85									
HFRT125300	300	390	3,26									
<b>ØD 50 ØAL 40 ØS 30</b>												
HFRT230200	200	300	3,61									CF04005016
HFRT230250	250	350	4,16									
HFRT230300	300	400	4,72	3/8"	42	16	26	42	27	37	50	
HFRT230350	350	450	5,27									
HFRT230400	400	500	5,82									
HFRT230550	550	650	7,30									
<b>ØD 60 ØAL 50 ØS 40</b>												
HFRT340200	200	330	6,00									CFHRT06050
HFRT340250	250	380	6,84									
HFRT340300	300	430	7,67	3/8"	47	23	32	54	37	49	60	
HFRT340350	350	480	8,49									
HFRT340400	400	530	9,32									
HFRT340550	550	680	11,70									
HFRT340700	700	830	14,10									
<b>ØD 70 ØAL 60 ØS 50</b>												
HFRT450300	300	460	11,80									CFHRT07060
HFRT450400	400	560	14,00	3/8"	50	25,5	49	74	47	65	65	
HFRT450550	550	710	17,50									
HFRT450700	700	860	21,00									

MATERIALE - MATERIAL:

TUBO - TUBE - ROHR: ACCIAIO - STEEL - STAHL St 52.3 DIN 2393 ISO H9

STELO - ROD - KOLBENSTANGE:

ACCIAIO - STEEL - STAHL UNI C45 SAE 1045 - CROMO - CHROME - CHROM: 25 MICRON ±5 Rating 9/120 h ISO 10289 - 1999/ISO 9227-NSS