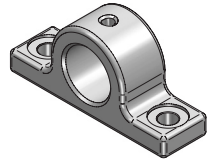
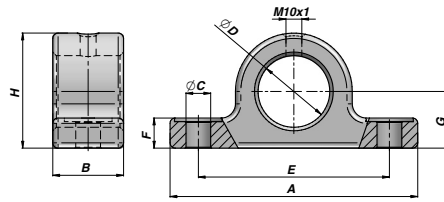
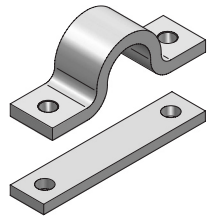
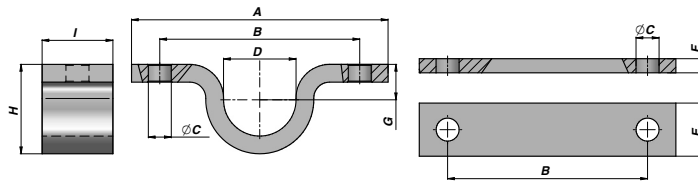


Codice Code Bestell-Nr.	Articolo nuovo New Model Neue Bezeichnung	Articolo vecchio Old Model Alte Bez.	Sfiliate Extensions Stufenzahl	Corsa - Stroke - Hub	Oil Consumption	Pressione Max di lavoro	Massa Totale Ribaltabile	Z	A1	B1	C1	$\varnothing D1$	$\varnothing SF$	$\varnothing P1$	$\varnothing D$	L2	F BSP	kg
					Oilverbrauch	Max Working Pressure	Total Mass Tip-up											
IH3103600903002	BL360 848 90 3 CRL	L04/3	3	848	3,9	220	5-14	445	156	289	100	74	43	40	110	148	-	23
IH3103601053002	BL360 855 105 3 CRL	L06/3Z	3	855	5,6	200	10-18	461	167	294	95	92	58	40	125	148	1/2"	27
IH3103600753002	BL360 866 75 3 CRL	L02/360/3	3	866	2,6	220	4-9	440	150	290	95	74	43	35	95	120	-	20
IH3103701203002	BL370 896 120 3 CRL	L08/3	3	896	7,9	200	13-24	480	197	283	125	92	58	45	145	165	1/2"	38
IH3104250753002	BL425 1055 75 3 CRL	L02/427/3	3	1055	3,1	220	4-9	509	150	359	95	74	43	35	95	120	-	21
IH3104750903002	BL475 1199 90 3 CRL	L04/475/3	3	1199	5,4	220	5-14	578	180	398	108	92	58	40	110	148	-	34
IH3102751054002	BL275 816 105 4 CRL	LB06/4	4	816	5,4	200	8-15	363	150	213	95	74	43	40	125	148	-	22
IH3103201054002	BL320 984 105 4 CRL	L06/4	4	984	5,5	200	8-15	405	150	255	95	74	43	40	125	148	-	27
IH3103200904002	BL320 984 90 4 CRL	L04L/4	4	984	4,9	200	5-11	405	155	250	100	74	43	40	110	148	-	23
IH3103600904002	BL360 1140 90 4 CRL	L04/4	4	1140	4,3	220	5-11	445	156	289	100	74	43	40	110	148	-	24
IH3103601054002	BL360 1140 105 4 CRL	L06/4Z	4	1140	6,4	200	8-15	461	167	294	95	92	58	40	125	148	-	28
IH3103601204002	BL360 1173 120 4 CRL	L08/4	4	1173	9,0	200	11-21	475	199	276	125	92	58	45	145	165	-	38
IH3104101204002	BL410 1369 120 4 CRL	L08/420/4	4	1369	10,6	200	11-21	525	232	293	160	92	58	45	145	165	-	52
IH3104451054002	BL445 1492 105 4 CRL	L06/450/4	4	1492	8,3	200	8-15	549	157	392	85	92	58	40	125	148	-	35
IH3104451204002	BL440 1501 120 4 CRL	L08/450/4	4	1501	11,6	200	11-21	558	160	398	88	92	58	45	145	165	-	55
IH3102751055002	BL275 1027 105 5 CRL	LB06/5	5	1027	4,9	200	6-12	363	150	213	95	74	43	40	125	148	-	23
IH3103051205002	BL305 1175 120 5 CRL	LB08/5	5	1175	7,9	200	9-17	418	197	221	125	92	58	45	145	165	-	39
IH3103201055002	BL320 1237 105 5 CRL	L06/5	5	1237	5,9	200	6-12	405	150	255	95	74	43	40	125	148	-	28
IH3103601055002	BL360 1432 105 5 CRL	L06/5Z	5	1432	6,8	200	6-12	444	150	294	95	74	43	40	125	148	-	29
IH3103601205002	BL360 1435 120 5 CRL	L08/5	5	1435	9,7	200	9-17	470	197	273	125	92	58	45	145	165	-	40
IH3104101205002	BL410 1710 120 5 CRL	L08/420/5	5	1710	11,5	200	9-17	525	232	293	160	92	58	45	145	165	-	47
IH3104451055002	BL445 1872 105 5 CRL	L06/450/5	5	1872	8,9	200	6-12	532	140	392	85	74	43	40	125	148	-	38
IH3104451205002	BL445 1875 120 5 CRL	L08/450/5	5	1875	12,6	200	9-17	558	160	398	88	92	58	45	145	165	-	51

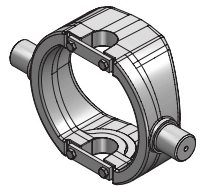
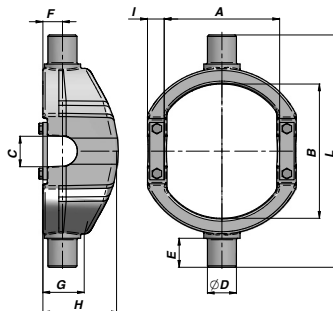
CRL= Cilindro con elementi telescopici cromati - Cylinder with chrome-coated telescopic moving stages - Teleskopzylinder mit verchromten Stufen



Codice Code Bestell-Nr.	Ref.	A	B	ØC	ØD	E	F	G	H	kg
IHA70035001	SC35	140	40	14	35,5	108	17	32	65	1,5
IHA70040001	SC40	140	40	14	40,5	108	17	32	65	1,5
IHA70045001	SC45	140	40	14	45,5	108	17	32	65	1,5



Codice Code Bestell-Nr.	Ref.	A	B	ØC	D	E	F	G	H	I	kg
IHA60035001	SB35	145	113	13	35,5	30	8	18	46	40	1,0
IHA60040001	SB40	145	113	13	40,5	30	8	20	51	40	1,0
IHA60045001	SB45	145	113	13	45,5	30	8	23	56	40	1,0



Codice Code Bestell-Nr.	Ref.	Portata max Max Capacity Max Tragkraft	A	B	C	ØD	E	F	G	H	I	L	kg
		ton											
IHA5L080001	L08	11	167	215	45	45	40	30	90	115	35	360	11,5
IHA5L060001	L06-L04	8	150	185	40	40	40	27	68	105	20	320	9,0
IHA5L020001	L02	4	125	165	36,5	35	37,5	27	62	76	20	275	5,5



Disponibile anche un'ampia gamma di cilindri FRONTALI e SOTTOCASSA per impieghi MEDIUM e HEAVY.

Full range of FRONT MOUNT and UNDER BODY CYLINDERS for MEDIUM and HEAVY DUTY also available.

Breite Palette von FRONTHEBEZYLINDERN und UNTERFLURZYLINDERN zu MITTEL- UND SCHWERANWENDUNG auch verfügbar.